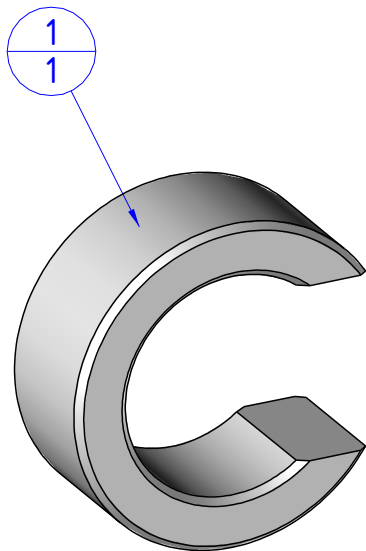
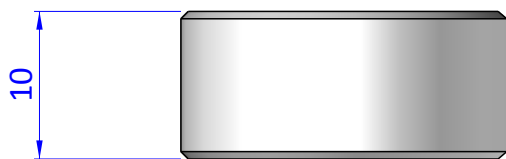
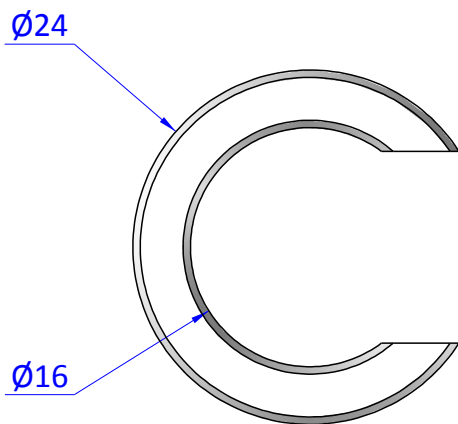


THE PROPERTY OF THE DRAWING IS ESTABLISHED BY LAW. IT IS FORBIDDEN TO PRODUCE OR SHOW IT TO THIRD PART. WITHOUT A WRITTEN AGREEMENT.

Item	Name	Q.ty
1	DB.10.32	1



Format A4 UNI 936-76	GENERAL TOLERANCE UNI - ISO 2768 CLASSE f	DESCRIPTION CA.DB.10.32	DESIGNED FROM FPS Automation	REVIEW A
			DATE 07/06/2019	WEIGHT 0,003kg
			CODE CA.DB.10.32	

